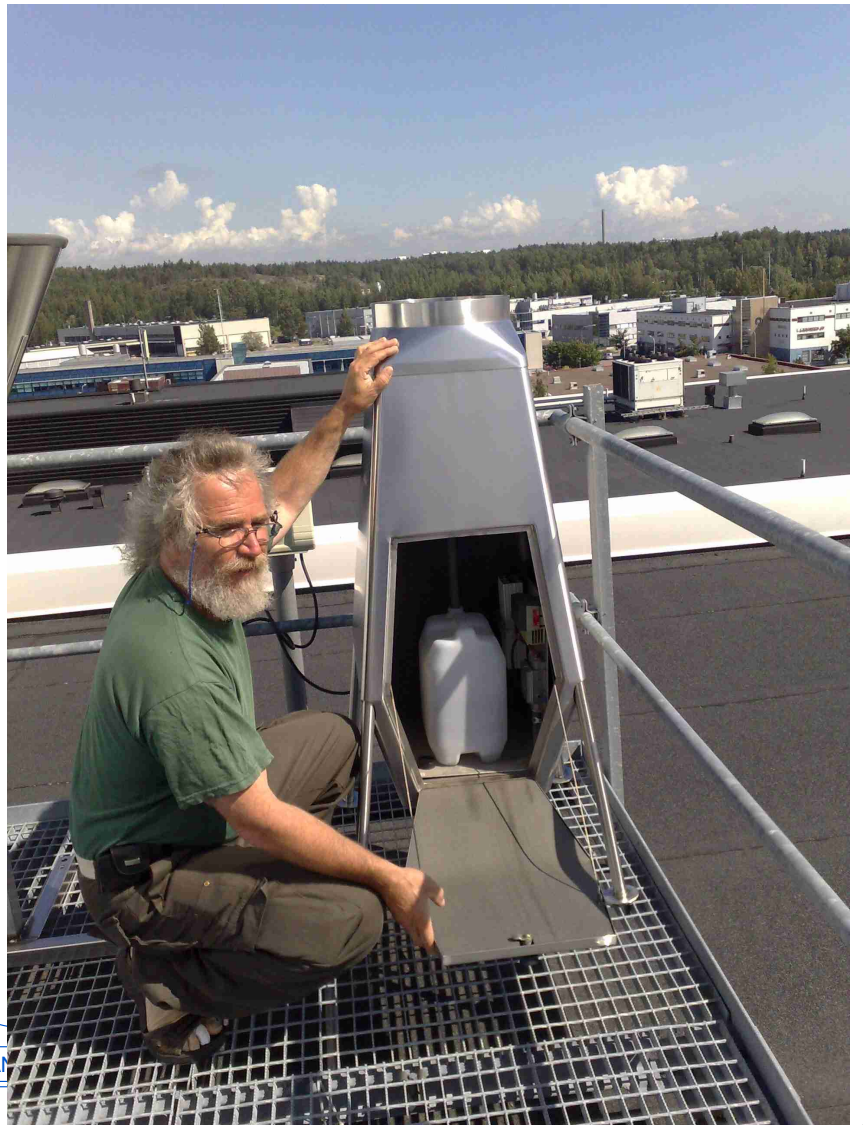
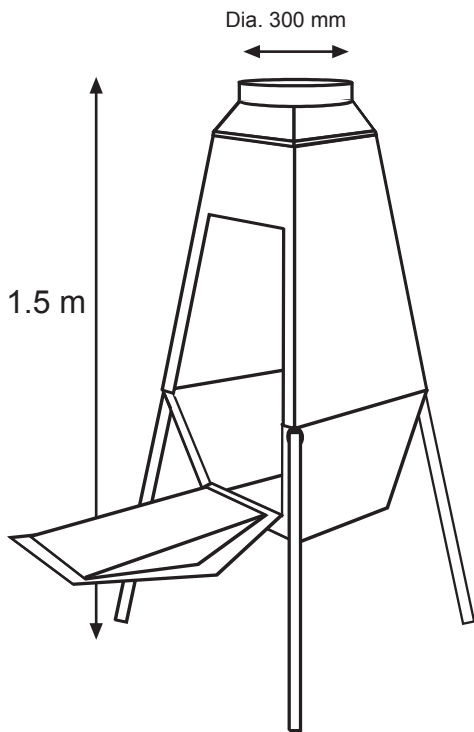


FALLOUT SAMPLER RITVA300



All stainless steel construction.
Sampling head \varnothing 300 mm.
Sampling head removable.
Option: Thermostated heating unit,
150 W and inside insulation keeps
sample liquid during winter season.
Legs are removable.

FALLOUT SAMPLER RITVA300

Fallout sampler RITVA300 is made of stainless steel, $s=1,0 - 1,5\text{mm}$. Unit is electro chemically polished after fabrication. This means that it does not need any kind of service.

Collection funnel diameter is $\text{Ø}300\text{mm}$.

You can use 10 - 20 liters container to collect water.

As option we also offer 150W heater and insulation that is needed in colder areas to keep water liquid also during times when temperature goes under -0°C .

Funnel is easily removable; so if you once and a while want to wash it, is easily taken to laboratory and washed.

In Finland Fallout samplers are used in National Radiation Detection network around Finland. Also Nuclear Power Plants have these samplers installed around the plant at different distances.



Here is also a photo of 20 year old Wet & Dry Fallout sampler PIRKKO 500. She has $\text{Ø}500\text{mm}$ funnels.

Basic idea is to collect dry fallout to one Funnel and wet fallout to another Funnel.

When rain starts the white cover will automatically move to right to cover the Dry Funnel and all collected rain will go to left Funnel, where we have some 50 liters container to collect water.

This is installed at STUK, Helsinki, Finland.